



Notice: No more than 7.87inch for the drain



GRANULAR ICE

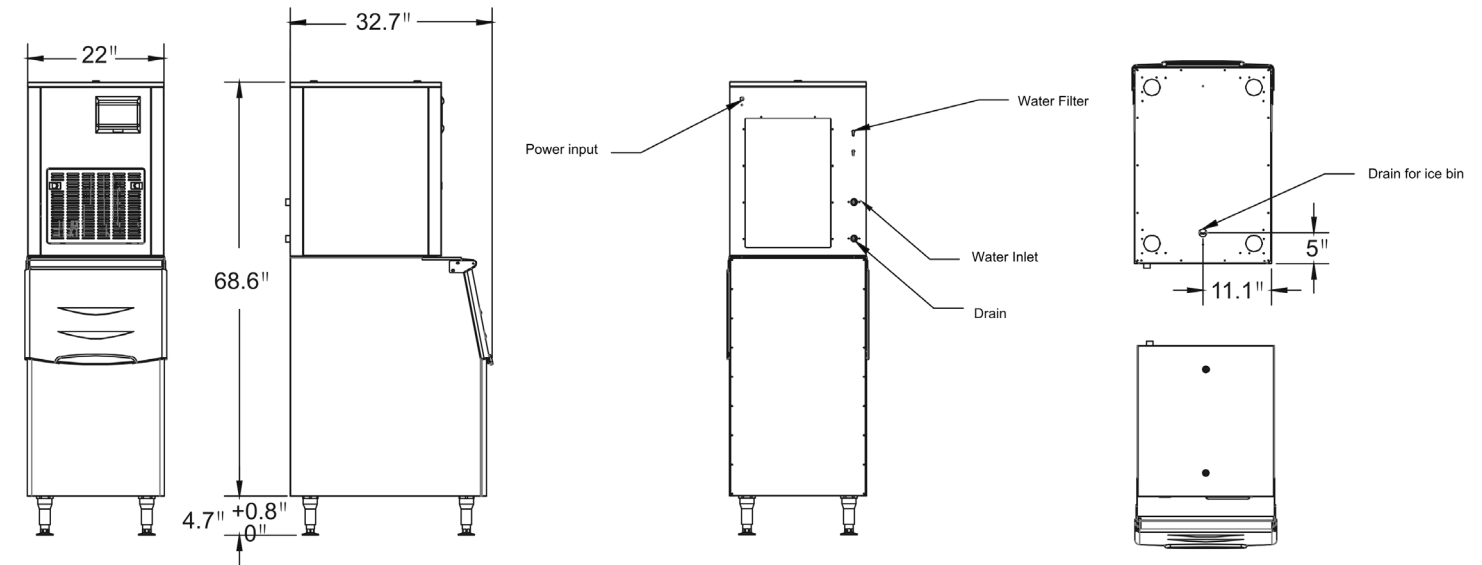


STANDARD FEATURES

- Intuitive Diagnostics and Controls - For ease of maintenance, a built-in diagnostic system will identify problems that your ice machine may be having and will display the issue on the digital controller so it can be repaired accordingly.
- Stainless Steel Construction - Constructed of durable type 304 stainless steel with a polyethylene interior, HDS ice machines are built to last in the busiest commercial environments. They are also non-corrosive, making them ideal for settings that are high in moisture and humidity.
- Included Ice Scoop & Blue LED Lights - Included with each unit is an ice scoop and a hook to hang it on, so it is always within convenient reach when you need it. Blue LED Lights illuminate the interior of the ice bin, providing a clear view of the ice. This makes it easier to monitor ice levels and scoop out the ice.
- Adjustable Legs - With (4) 6" adjustable legs, you can level your machine on uneven surfaces and have plenty of room to clean under it.
- Side-Breathing with Rear Exhaust - The HDS ice machines are designed for side-breathing and rear exhaust, so you can avoid hot air being blown outward into your kitchen or service area.
- Included Single-Stage Water Filter - Included with each HDS ice machine is a single-stage water filter that will filter contaminants, and ensure your unit produces high quality ice.
- Air Cooled, Self-Contained Condensor
- Refrigerant Options - All models available in R404A refrigerant setup. Select models available in R290 refrigerant setup.
- Electrical Setup Options - All models above with ice production capacity above 500 lbs/24 hrs are available only in 208-240/50 or 60/1. Three-phase electrical setup may be available upon request.



HDSIGM-550 / HDSIGM-770 / HDSIGM-1000



HDSIGM-1000

MODEL	ICE PRODUCTION	ICE STORAGE	GROSS WEIGHT	POWER	DIMENSION
HDSIGM-550	250kg/550lbs/24h	125kg/275lbs	129kg/284lbs	1060W	560 x 830 x 1760mm / 22 x 32.7 x 69.3in
HDSIGM-770	350kg/770lbs/24h	125kg/275lbs	152kg/335lbs	1137W	560 x 830 x 1810mm / 22 x 32.7 x 71.3in
HDSIGM-1000	450kg/990lbs/24h	125kg/275lbs	156kg/344lbs	1696W	560 x 830 x 1860mm / 22 x 32.7 x 73.3in

sales@heavydutysystems.com

Ice Production Data at 70°F (21°C) ambient temp. and 50°F (10°C) water temp.