

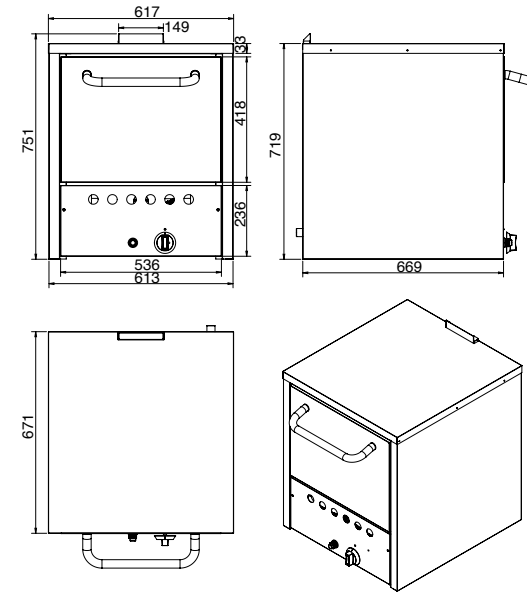


HDSGPO-19

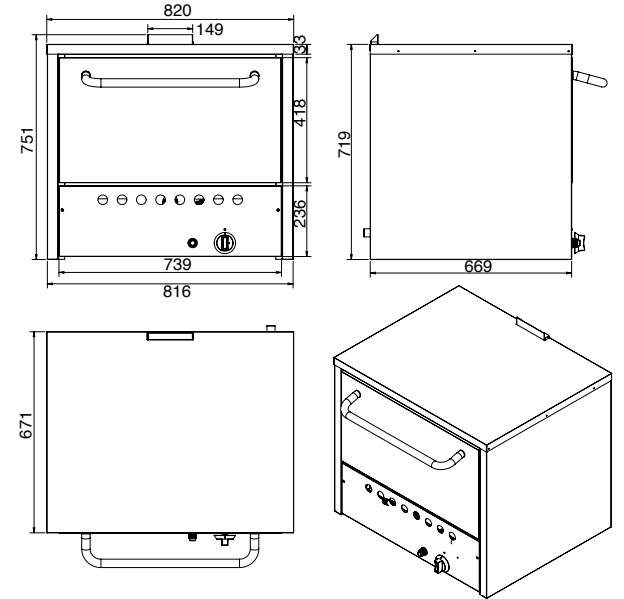
STANDARD FEATURES

- Stainless steel structure
- Stainless steel burner, each 25,000 BTU/hr
- Thermostat 120 - 650oF (49 - 343oC) controlled
- Good insulation outside chamber
- Hearth deck, perfect for pizza
- Two decks
- Spring door system
- Ceramic coating door interior and bottom plate
- V shape baffle for best heat distribution
- 3/4" NPT rear gas connection

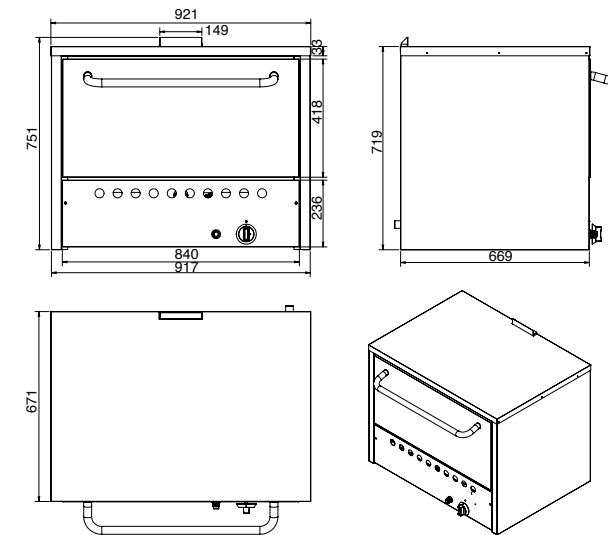
- **Gas Products available in either Natural or LP Gas setup**
- **Thermostats (if applicable) available in either Fahrenheit or Celsius**



HDSGPO-19



HDSGPO-26



HDSGPO-31

MODEL	TOTAL INPUT (btu/hr)	DECK SIZE (WxDxH)	PRODUCT (WxDxH)	PACKING (WxDxH)	NW	GW
HDSGPO-19	25,000	495 x 500 x 360 mm 19.5 x 19.6 x 14.2 inch	610 x 670 x 720 mm 24 x 26 x 28 inch	685 x 840 x 840 mm 27 x 33 x 33 inch	95 kg 205 lbs	105 kg 230 lbs
HDSGPO-26	30,000	670 x 500 x 360 mm 26.5 x 19.6 x 14.2 inch	813 x 670 x 720 mm 31 x 26 x 28 inch	880 x 840 x 840 mm 35 x 33 x 33 inch	105 kg 230 lbs	118 kg 260 lbs
HDSGPO-31	30,000	800 x 500 x 360 mm 31.5 x 19.6 x 14.2 inch	914 x 670 x 720 mm 36 x 26 x 28 inch	990 x 840 x 840 mm 39 x 33 x 33 inch	120 kg 265 lbs	135 kg 298 lbs

sales@heavydutysystems.com