



HDSPC-11

(Basket is not included in the unit)

STANDARD FEATURES

- Stainless steel front and sides
- Stainless steel tube burner
- Thermostat controlled (122°F- 257°F)
- Open S/S316 water pot
- Standby S/S pilot for easy start
- 6” stainless steel leg
- Milivolt control valve
- Prompt response thermostat ensures fast temp recovery
- High limit safety thermostat
- 1 “ stainless steel full port drain valve
- Open pot design features easy cleaning
- Overflow draining tube to prevent starch burning
- 1/2” NPT rear gas connection

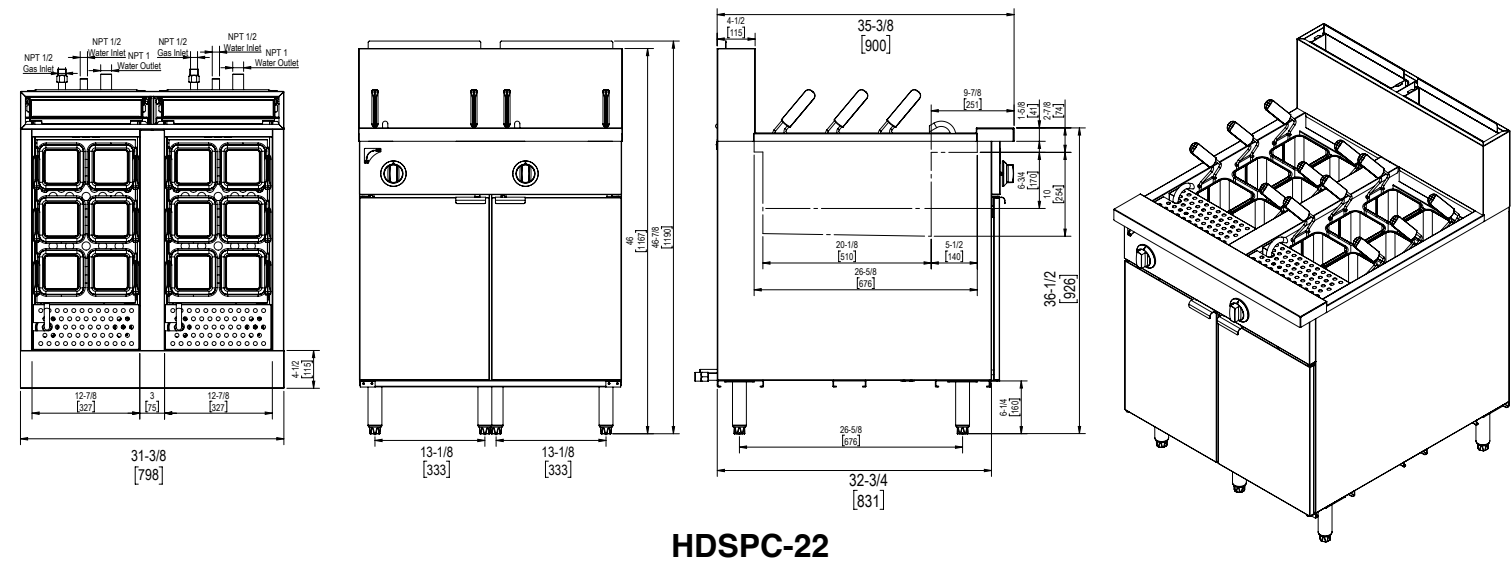
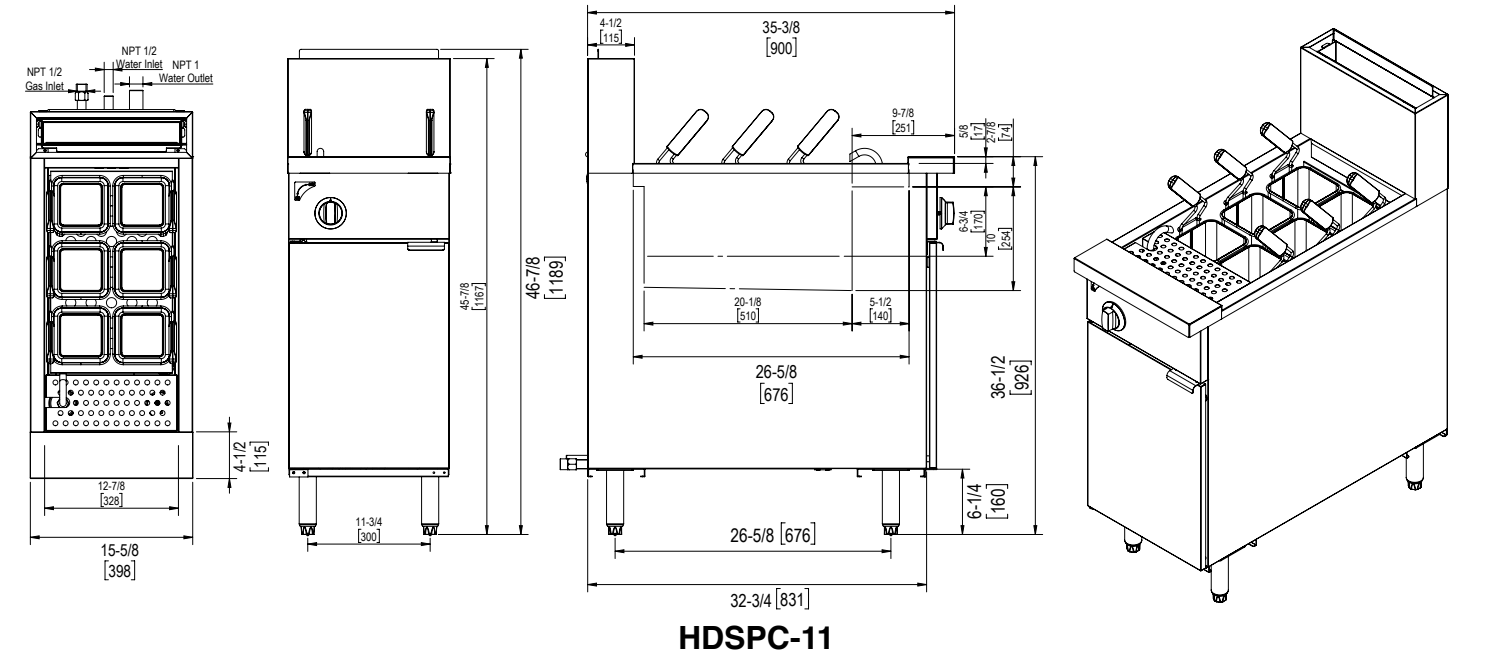


HDSPC-22



- HDSPC-11 - Includes (6) each baskets
- HDSPC-22 - Includes (12) each baskets

- Gas Products available in either Natural or LP Gas setup
- Thermostats (if applicable) available in either Fahrenheit or Celsius



MODEL	DESCRIPTION	TOTAL INPUT (btu/hr)	CAPACITY	PRODUCT (WxDxH)	PACKING (WxDxH)	NW	GW
HDSPC-11	Gas pasta cooker	70,000	11 Gallons	398 x 900 x 1190 mm 15.6 x 35.4 x 46.9 inch	970 x 470 x 1140 mm 19 x 38 x 36 inch	78 kg 172 lbs	86 kg 190 lbs
HDSPC-22	Gas pasta cooker	140,000	22 Gallons	798 x 900 x 1190 mm 31.4 x 35.4 x 46.9 inch	1030 x 910 x 1180 mm 38 x 43 x 39 inch	165 kg 363 lbs	180 kg 402 lbs

sales@heavydutysystems.com