



HDSDD-30-23



HDSDD-27-58



HDSDD-27-69

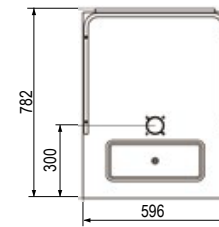
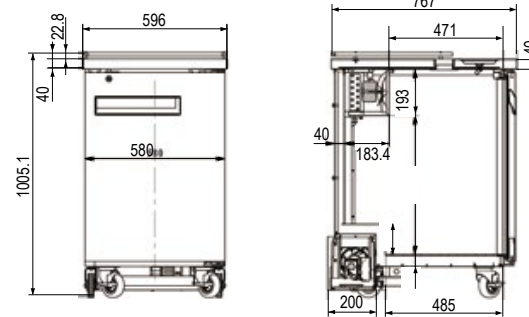


HDSDD-27-90

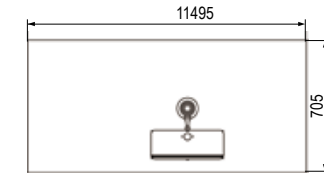
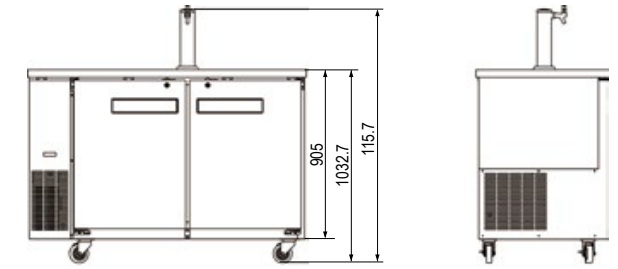
STANDARD FEATURES

- Durable stainless steel top, interior walls, floor and ceiling.
- Exterior construction is attractive corrosion resistant vinyl on steel in black finish.
- Refrigeration system keeps the drinks at safe temperatures between 33°F and 41°F (0.5°C to 5°C).
- Electronic control system makes it easy to adjust temperature set point and defrost frequency.
- Shelves: Adjustable heavy-duty PVC coated shelves.
- Option of stainless steel exterior available.
- Preinstalled 4" heavy-duty casters with brakes.
- Option of leveling feet available.
- Self-Closing doors with locks.
- LED interior lighting.
- Slide out refrigeration condensing unit makes it easy to access condenser for cleaning and service.
- These units use HYDRO-CARBON R290 refrigerant, which is environmentally friendly and more efficient than R134a/R404a refrigerant.

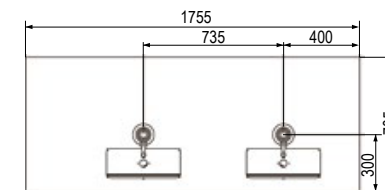
HDSDD-30-23



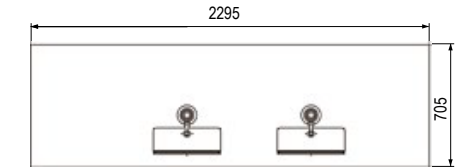
HDSDD-27-58



HDSDD-27-69



HDSDD-27-90



MODEL	DOORS	SHELVES	DIMENSIONS	CAPACITY	HP	AMPS	VOLTAGE	PLUG TYPE
HDSDD-30-23	1	1	23 1/2 x 30 3/8 x 38 3/4 in 596 x 772 x 983 mm	6.5 cu.ft. 1*1/2 barrel	1/6	1.92	115/60/1	NEMA 5-15P
HDSDD-27-58	2	4	58 7/8 x 27 3/4 x 35 5/8 in 1495 x 705 x 905 mm	19 cu.ft. 2*1/2 barrel	1/5	2.88	115/60/1	NEMA 5-15P
HDSDD-27-69	2	4	69 1/8 x 27 3/4 x 35 5/8 in 1755 x 705 x 905 mm	23.3 cu.ft. 3*1/2 barrel	1/5	3.6	115/60/1	NEMA 5-15P
HDSDD-27-90	3	6	90 3/8 x 27 3/4 x 35 5/8 in 2295 x 705 x 905 mm	32 cu.ft. 4*1/2 barrel	1/4+	4.7	115/60/1	NEMA 5-15P

sales@heavydutysystems.com

Voltage 220/50/1 available.