

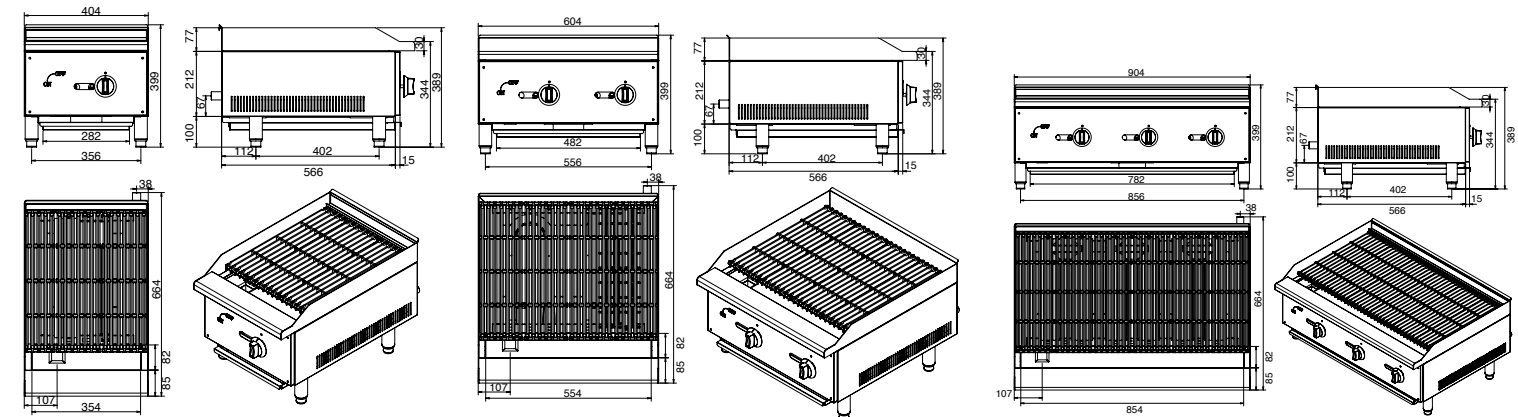


STANDARD FEATURES

- U-shape steel burner, each 30,000 BTU/hr
- To be controlled every 12” width
- Standby pilot for easy start
- Stainless steel adjustable heavy duty legs
- Zinc alloy knob with chrome coating
- Large oil collector at the bottom
- Easy conversion from natural gas to Propane or vice versa
- Stainless steel in the front, and galvanized sides and back
- Available in 16”, 24”, 36”, 48” and 60” size
- Cast iron grate
- Manual control



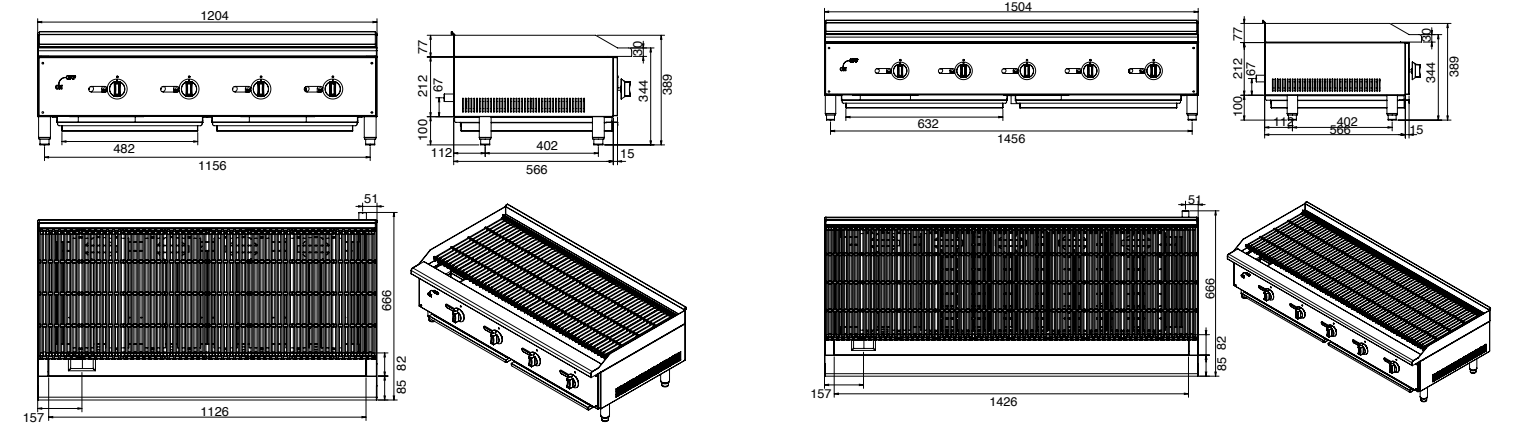
HDSECTC-24



HDSECTC-16

HDSECTC-24

HDSECTC-36



HDSECTC-48

HDSECTC-60

MODEL	DESCRIPTION	TOTAL INPUT (btu/hr)	PRODUCT (WxDxH)	PACKING (WxDxH)	NW	GW
HDSECTC-16	Gas Radiant Broiler	30,000	404 x 640 x 390 mm 15.9 x 25.2 x 15.4 inch	490 x 780 x 500 mm 19.3 x 30.7 x 19.7 inch	49 kg 108 lbs	57 kg 125 lbs
HDSECTC-24	Gas Radiant Broiler	60,000	604 x 640 x 390 mm 23.8 x 25.2 x 15.4 inch	760 x 780 x 500 mm 29.9 x 30.7 x 19.7 inch	54 kg 119 lbs	70 kg 154 lbs
HDSECTC-36	Gas Radiant Broiler	90,000	904 x 640 x 390 mm 35.6 x 25.2 x 15.4 inch	980 x 780 x 500 mm 38.6 x 30.7 x 19.7 inch	74 kg 163 lbs	95 kg 209 lbs
HDSECTC-48	Gas Radiant Broiler	120,000	1204 x 640 x 390 mm 47.4 x 25.2 x 15.4 inch	1280 x 780 x 500 mm 50.4 x 30.7 x 19.7 inch	98 kg 216 lbs	135 kg 297 lbs
HDSECTC-60	Gas Radiant Broiler	150,000	1504 x 640 x H390 mm 59.2 x 25.2 x H15.4 inch	1610 x 780 x 500 mm 63.4 x 30.7 x 19.7 inch	122 kg 268 lbs	167 kg 367 lbs

sales@heavydutysystems.com

- **Gas Products available in either Natural or LP Gas setup**
- **Thermostats (if applicable) available in either Fahrenheit or Celsius**