

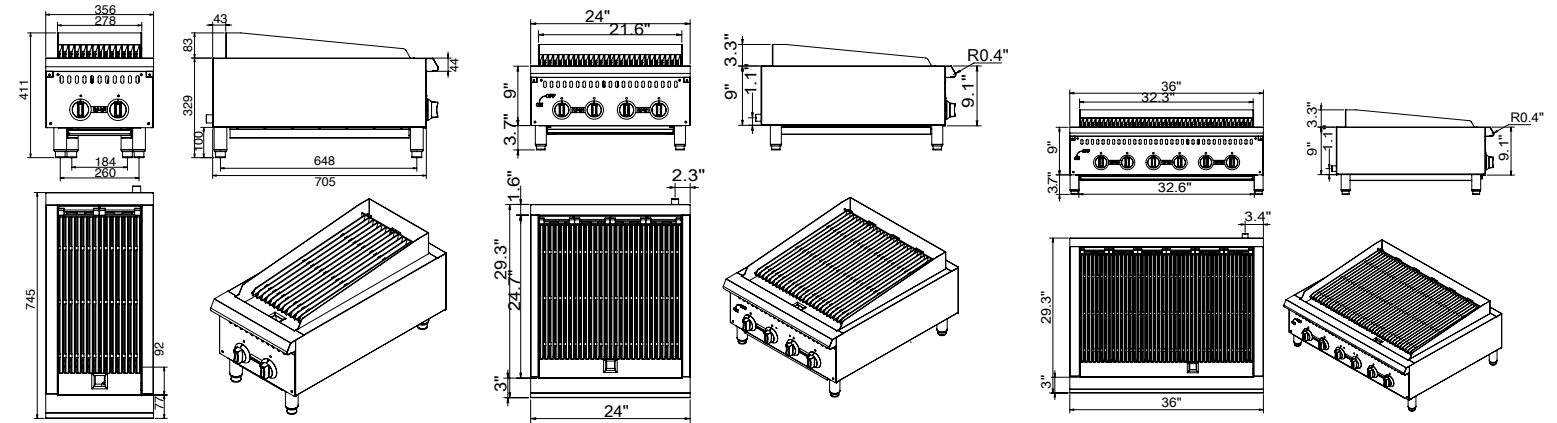


STANDARD FEATURES

- Stainless steel front and sides
- Cast iron straight burner, each 20,000 BTU/hr
- Lava rock to retain heat
- Standby S/S pilot
- 5 1/4" wide cast iron grates, can be reversed for different food
- Independent control valve for every 6" cooking zone
- Adjustable heavy duty legs
- Full width crumb tray at the bottom
- Durable brass control valve
- Easy access to pilot valve adjustment screws
- Easy gas conversion in field
- 3/4" NPT rear gas connection
- Shipped with gas regulator and lava rock kit



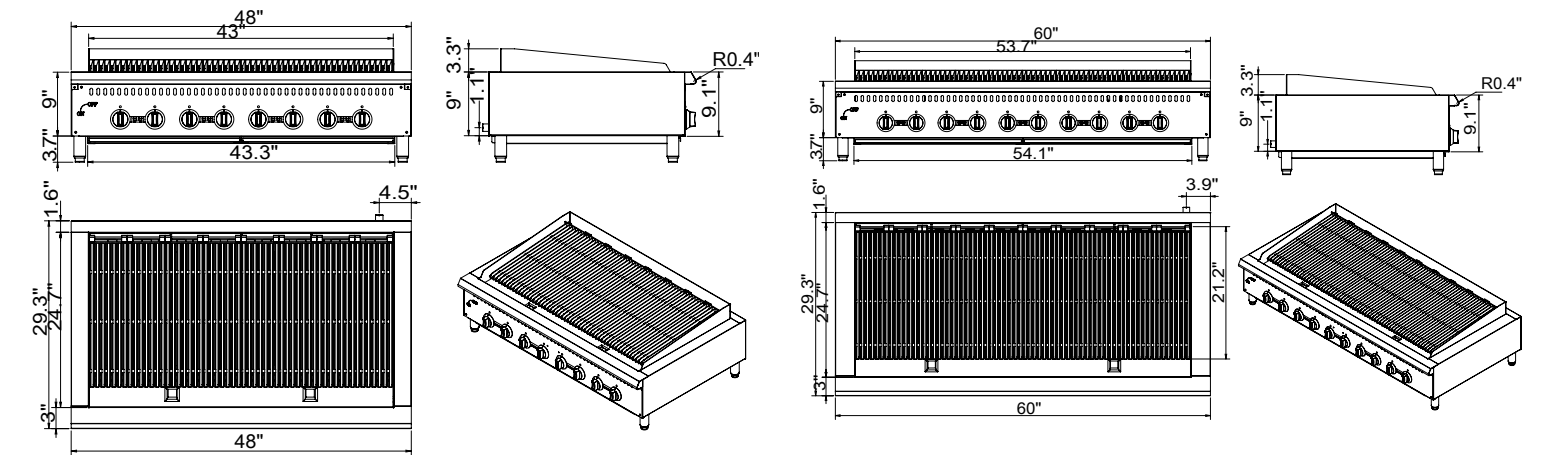
HDSGCBLR-36



HDSGCBLR-14

HDSGCBLR-24

HDSGCBLR-36



HDSGCBLR-48

HDSGCBLR-60

MODEL	DESCRIPTION	TOTAL INPUT (btu/hr)	PRODUCT (WxDxH)	PACKING (WxDxH)	NW	GW
HDSGCBLR-14	Gas Lava Rock Broiler	40,000	356 x 745 x 400 mm 14 x 29.3 x 15.7 inch	460 x 890 x 530 mm 18 x 35 x 21 inch	22 kg 49 lbs	36 kg 80 lbs
HDSGCBLR-24	Gas Lava Rock Broiler	80,000	605 x 745 x 400 mm 23.8 x 29.3 x 15.7 inch	762 x 890 x 530 mm 30 x 35 x 21 inch	82 kg 181 lbs	102 kg 225 lbs
HDSGCBLR-36	Gas Lava Rock Broiler	120,000	910 x 745 x 400 mm 35.8 x 29.3 x 15.7 inch	1040 x 890 x 530 mm 41 x 35 x 21 inch	120 kg 265 lbs	145 kg 320 lbs
HDSGCBLR-48	Gas Lava Rock Broiler	160,000	1220 x 745 x 400 mm 48 x 29.3 x 15.7 inch	1320 x 890 x 530 mm 52 x 35 x 21 inch	157 kg 346 lbs	187 kg 412 lbs
HDSGCBLR-60	Gas Lava Rock Broiler	200,000	1525 x 745 x 400 mm 60 x 29.3 x 15.7 inch	1650 x 890 x 530 mm 65 x 35 x 21 inch	186 kg 410 lbs	220 kg 483 lbs

sales@heavydutysystems.com

- **Gas Products available in either Natural or LP Gas setup**
- **Thermostats (if applicable) available in either Fahrenheit or Celsius**