

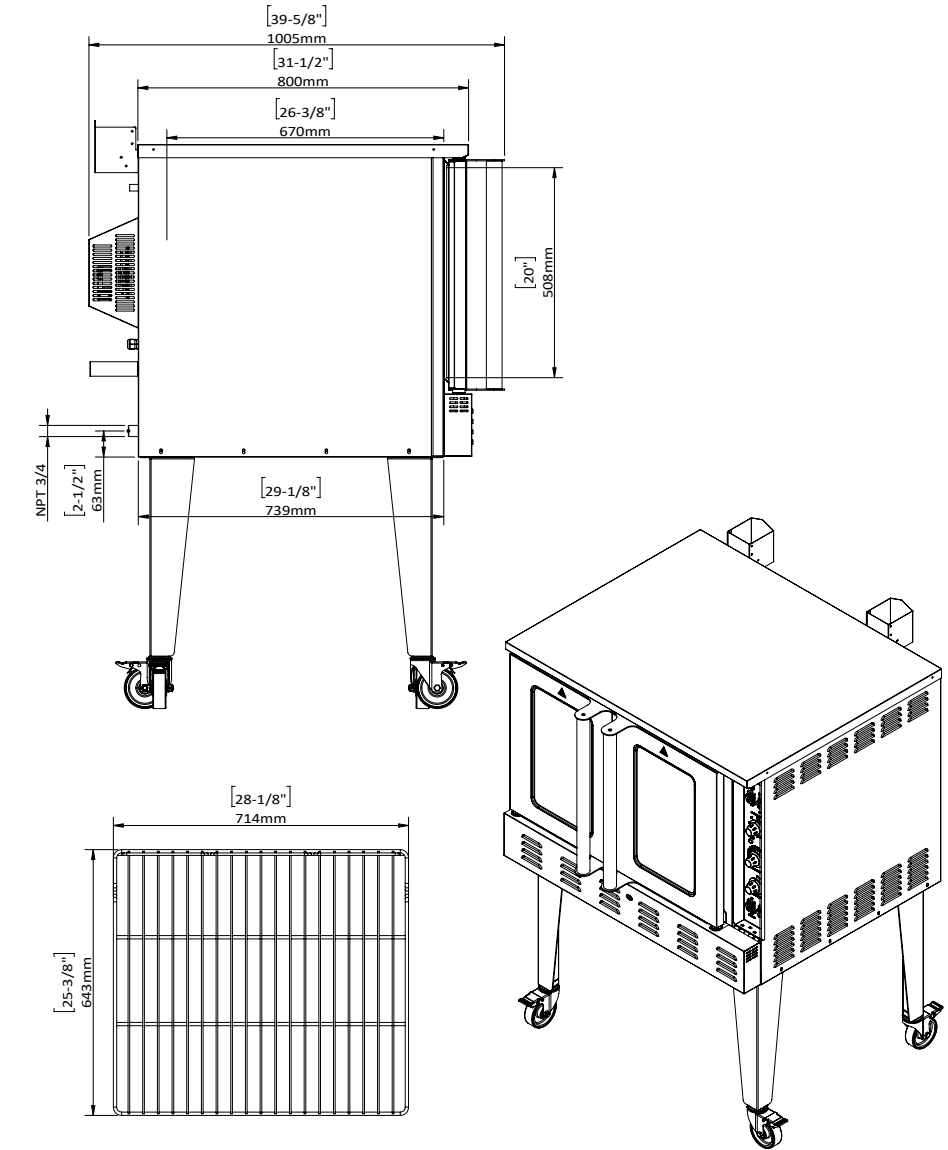
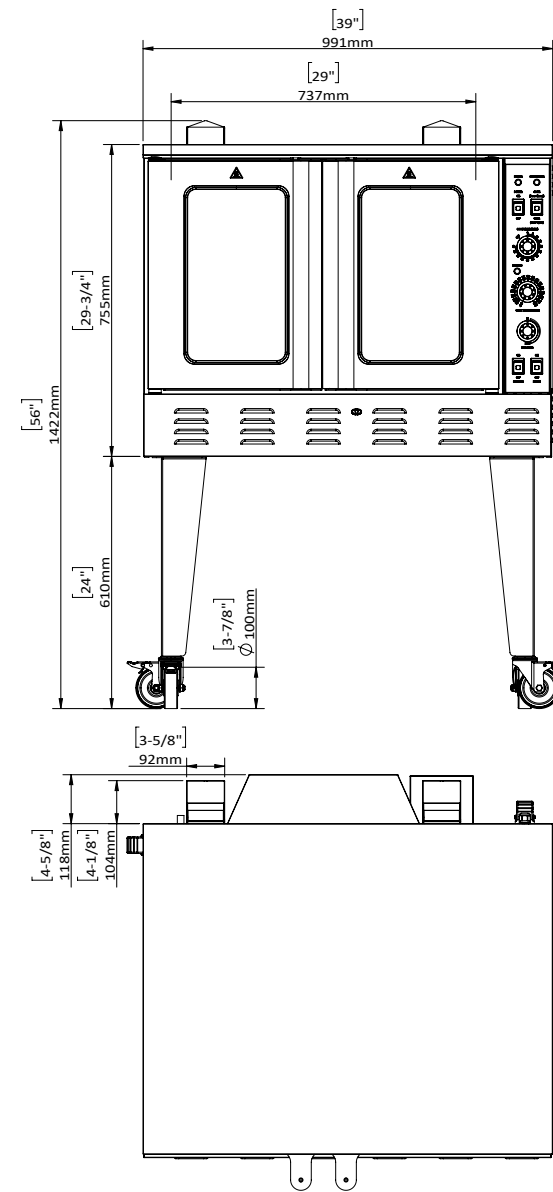


HDSGCO-1BD

**STANDARD FEATURES**

- Stainless steel front and sides with robust support
- Stainless steel tube burners
- Temperature adjustable from 150°F to 550°F
- Porcelainized interior, easy to clean
- Dual pane thermal glass windows
- 60-minute electric timer with bell
- Circulating fan, deep depth (25-3/8") oven cavity
- Removable 11-position rack guides
- 4 heavy duty chrome plated racks
- Cooling down function
- Interior chamber light
- Double stacking options to optimize kitchen space
- Automatic ignition system for gas safety operation
- Micro switch for complete shut off once door is opened
- 3/4" NPT rear gas connection

- **Gas Products available in either Natural or LP Gas setup**
- **Thermostats (if applicable) available in either Fahrenheit or Celsius**
- **Electric Products available in alternate electrical power setups**



HDSGCO-1BD

MODEL	DESCRIPTION	TOTAL INPUT (btu/hr)	VOLTAGE/AMP	PRODUCT (WxDxH)	PACKING (WxDxH)	NW	GW
HDSGCO-1BD	Gas Convection Oven (Deep Depth)	NG 60,000 LPG 35,000	120VAC, 60Hz, 2.7A	991 x 1005 x 1422 mm 39 x 39.5 x 56 inch	1180 x 1070 x 1050 mm 46 x 42 x 41 inch	187 kg 411 lbs	222 kg 488 lbs

sales@heavydutysystems.com