



HDSICV-80 / HDSICV-120



### AVAILABLE ICE SIZE:

13mm x 22mm x 22mm / 0.5in x 0.9in x 0.9in  
 22mm x 22mm x 22mm / 0.9in x 0.9in x 0.9in  
 28mm x 28mm x 22mm / 1.1in x 1.1in x 0.9in  
 32mm x 32mm x 22mm / 1.3in x 1.3in x 0.9in  
 38mm x 38mm x 22mm / 1.5in x 1.5in x 0.9in



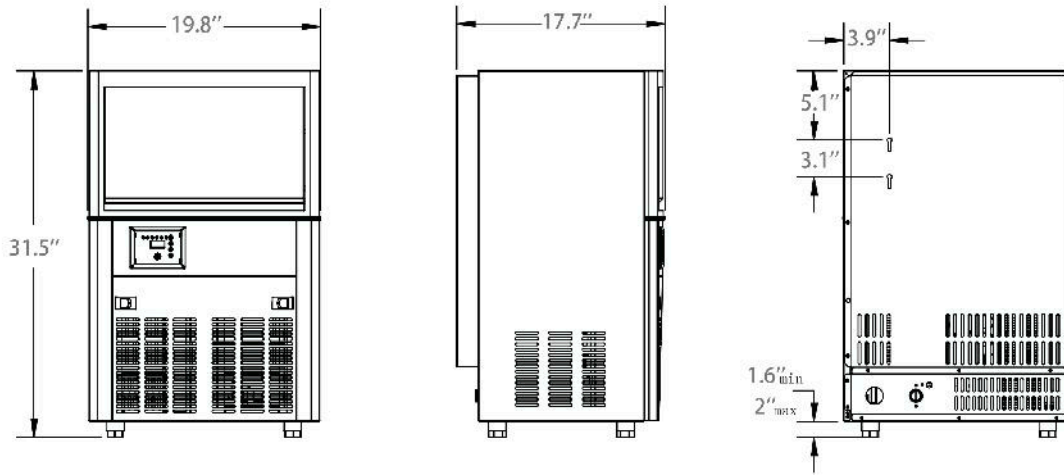
### STANDARD FEATURES

- Intuitive Diagnostics and Controls - For ease of maintenance, a built-in diagnostic system will identify problems that your ice machine may be having and will display the issue on the digital controller so it can be repaired accordingly.
  - This easy-to-use controller can also be used to monitor the current stage of ice production that your machine is in. It also allows you to adjust the thickness of the ice, so that you can produce ice to your exact requirements, and initiate the cleaning cycle (and displays what stage of the cycle you're in).
- Stainless Steel Construction - Constructed of durable type 304 stainless steel with a polyethylene interior, HDS ice machines are built to last in the busiest commercial environments. They are also non-corrosive, making them ideal for settings that are high in moisture and humidity.
- Included Ice Scoop & Blue LED Lights - Included with each unit is an ice scoop and a hook to hang it on, so it is always within convenient reach when you need it. Blue LED Lights illuminate the interior of the ice bin, providing a clear view of the ice. This makes it easier to monitor ice levels and scoop out the ice.
- Adjustable Legs - With (4) 6" adjustable legs, you can level your machine on uneven surfaces and have plenty of room to clean under it.
- Side-Breathing with Rear Exhaust - The HDS ice machines are designed for side-breathing and rear exhaust, so you can avoid hot air being blown outward into your kitchen or service area.
- Included Single-Stage Water Filter - Included with each HDS ice machine is a single-stage water filter that will filter contaminants, and ensure your unit produces high quality ice.
- Air Cooled, Self-Contained Condensor
- Refrigerant Options - All models available in R404A refrigerant setup. Select models available in R290 refrigerant setup.
- Electrical Setup Options - All models with ice production capacity equal to or below 500 lbs/24 hrs are available in 110-120/60/1 or 208-240/50 or 60/1.

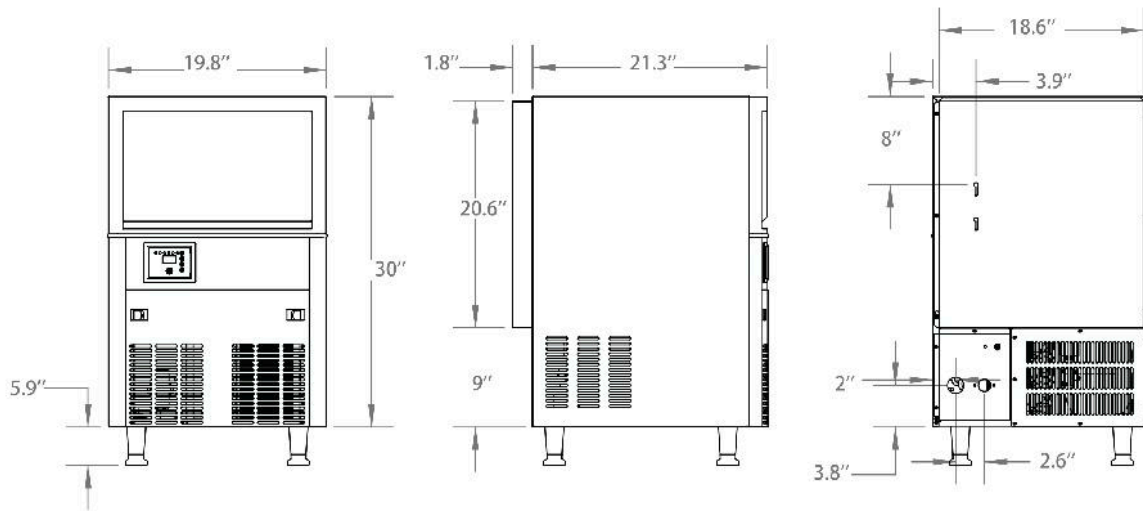


HDSICV-80WB / HDSICV-120WB

Notice: No more than 7.87inch for the drain



**HDSICV-80 / HDSICV-80WB**



**HDSICV-120 / HDSICV-120WB**

MODEL	ICE PRODUCTION	ICE STORAGE	GROSS WEIGHT	POWER	DIMENSION
HDSICV-80	36kg/80lbs/24h	15kg/33lbs	40kg/88lbs	300W	502 x 450 x 800mm / 19.8 x 17.7 x 31.5in
HDSICV-120	55kg/120lbs/24h	18kg/40lbs	50kg/120lbs	446W	502 x 591 x 913mm / 19.8 x 23.3 x 35.9in
HDSICV-80WB	36kg/80lbs/24h	15kg/33lbs	40kg/88lbs	300W	502 x 450 x 800mm / 19.8 x 17.7 x 31.5in
HDSICV-120WB	55kg/120lbs/24h	18kg/40lbs	50kg/120lbs	446W	502 x 591 x 913mm / 19.8 x 23.3 x 35.9in



### AVAILABLE ICE SIZE:

13mm x 22mm x 22mm / 0.5in x 0.9in x 0.9in  
 22mm x 22mm x 22mm / 0.9in x 0.9in x 0.9in  
 28mm x 28mm x 22mm / 1.1in x 1.1in x 0.9in  
 32mm x 32mm x 22mm / 1.3in x 1.3in x 0.9in  
 38mm x 38mm x 22mm / 1.5in x 1.5in x 0.9in



### STANDARD FEATURES

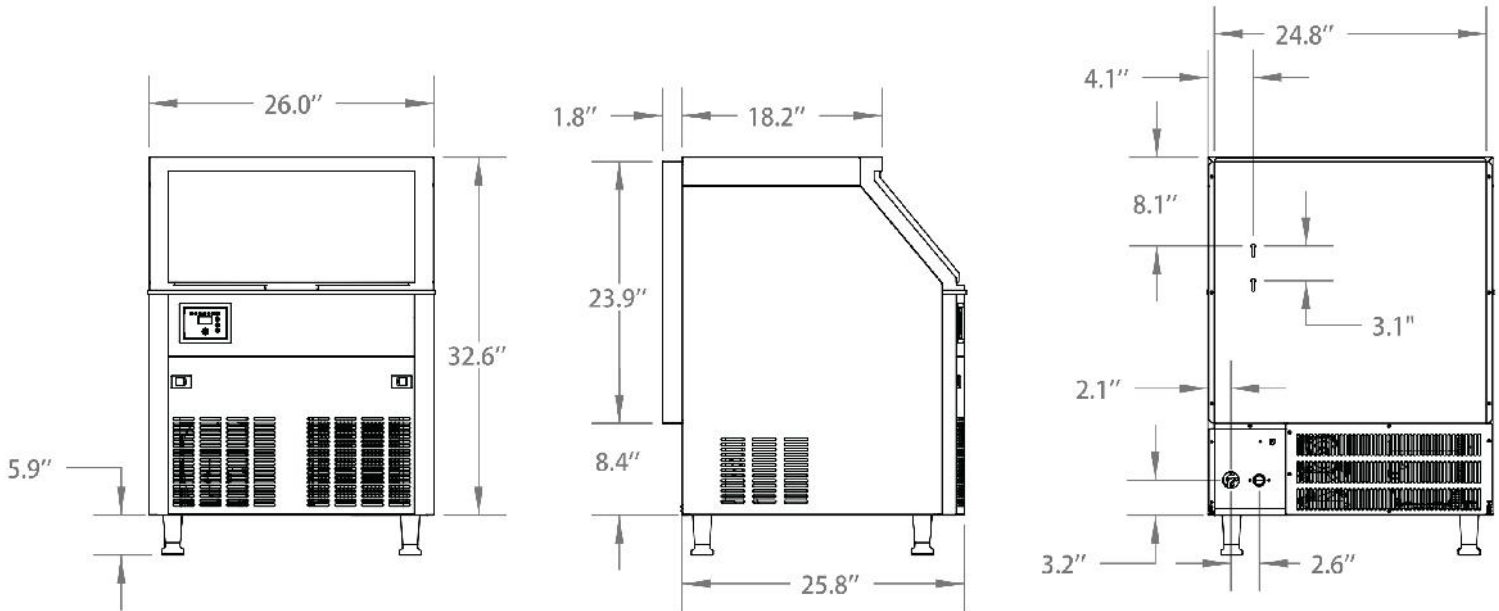
- Intuitive Diagnostics and Controls - For ease of maintenance, a built-in diagnostic system will identify problems that your ice machine may be having and will display the issue on the digital controller so it can be repaired accordingly.
  - This easy-to-use controller can also be used to monitor the current stage of ice production that your machine is in. It also allows you to adjust the thickness of the ice, so that you can produce ice to your exact requirements, and initiate the cleaning cycle (and displays what stage of the cycle you're in).
- Stainless Steel Construction - Constructed of durable type 304 stainless steel with a polyethylene interior, HDS ice machines are built to last in the busiest commercial environments. They are also non-corrosive, making them ideal for settings that are high in moisture and humidity.
- Included Ice Scoop & Blue LED Lights - Included with each unit is an ice scoop and a hook to hang it on, so it is always within convenient reach when you need it. Blue LED Lights illuminate the interior of the ice bin, providing a clear view of the ice. This makes it easier to monitor ice levels and scoop out the ice.
- Adjustable Legs - With (4) 6" adjustable legs, you can level your machine on uneven surfaces and have plenty of room to clean under it.
- Side-Breathing with Rear Exhaust - The HDS ice machines are designed for side-breathing and rear exhaust, so you can avoid hot air being blown outward into your kitchen or service area.
- Included Single-Stage Water Filter - Included with each HDS ice machine is a single-stage water filter that will filter contaminants, and ensure your unit produces high quality ice.
- Air Cooled, Self-Contained Condensor
- Refrigerant Options - All models available in R404A refrigerant setup. Select models available in R290 refrigerant setup.
- Electrical Setup Options - All models with ice production capacity equal to or below 500 lbs/24 hrs are available in 110-120/60/1 or 208-240/50 or 60/1.



**HDSICV-160 / HDSICV-210 / HDSICV-280**



Notice: No more than 7.87inch for the drain



HDSICV-160 / HDSICV-210 / HDSICV-280

MODEL	ICE PRODUCTION	ICE STORAGE	GROSS WEIGHT	POWER	DIMENSION
HDSICV-160	73kg/160lbs/24h	36kg/80lbs	65kg/143lbs	451W	660 x 704 x 978mm / 26 x 27.7 x 38.5in
HDSICV-210	95kg/210lbs/24h	36kg/80lbs	66kg/145lbs	526W	660 x 704 x 978mm / 26 x 27.7 x 38.5in
HDSICV-280	127kg/280lbs/24h	36kg/80lbs	67kg/147lbs	726W	660 x 704 x 978mm / 26 x 27.7 x 38.5in

sales@heavydutysystems.com

Ice Production Data at 70°F (21°C) ambient temp. and 50°F (10°C) water temp.



Designed In USA.

PERFORMANCE. DURABILITY. VALUE.