



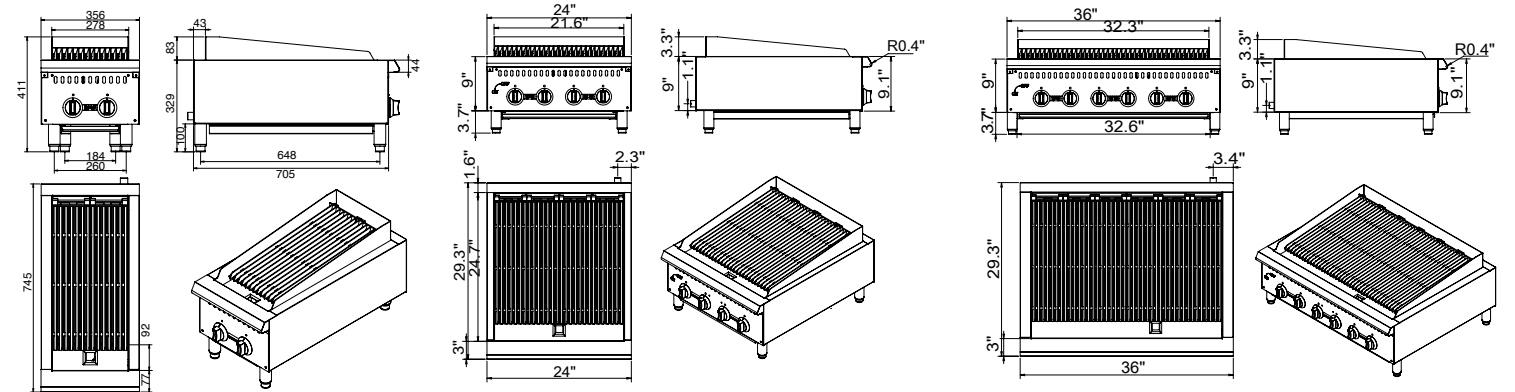
STANDARD FEATURES

- Cast iron bar burner, each 20,000 BTU/hr
- One control every 6"
- Standby pilot for easy start
- Cast iron radiant cover to hold heat and spread heat more evenly
- Stainless steel adjustable heavy duty legs
- Zinc alloy knob with chrome coating
- Oil collector at the bottom
- Easy conversion from natural gas to Propane or vice versa
- Stainless steel in the front and sides
- Available in 14",24",36",48" and 60" width



HDSCTC-24

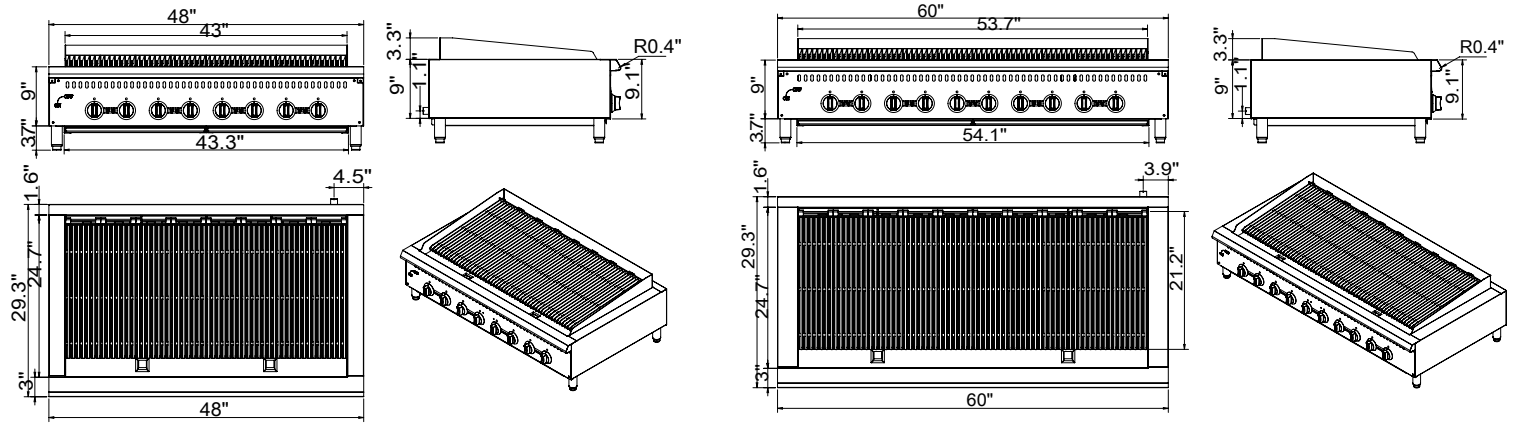
- **Gas Products available in either Natural or LP Gas setup**
- **Thermostats (if applicable) available in either Fahrenheit or Celsius**



HDSCTC-14

HDSCTC-24

HDSCTC-36



HDSCTC-48

HDSCTC-60

MODEL	DESCRIPTION	TOTAL INPUT (btu/hr)	PRODUCT (WxDxH)	PACKING (WxDxH)	NW	GW
HDSCTC-14	Gas Radiant Broiler	40,000	356 x 745 x 400 mm 14 x 29.3 x 15.7 inch	480 x 890 x 520 mm 19 x 35 x 20.5 inch	50 kg 110 lbs	65 kg 143 lbs
HDSCTC-24	Gas Radiant Broiler	80,000	605 x 745 x 400 mm 23.8 x 29.3 x 15.7 inch	890 x 890 x 520 mm 35 x 35 x 20.5 inch	85 kg 187 lbs	112 kg 246 lbs
HDSCTC-36	Gas Radiant Broiler	120,000	910 x 745 x 400 mm 35.8 x 29.3 x 15.7 inch	1070 x 890 x 520 mm 42.1 x 35 x 20.5 inch	130 kg 286 lbs	158 kg 348 lbs
HDSCTC-48	Gas Radiant Broiler	160,000	1220 x 745 x 400 mm 48 x 29.3 x 15.7 inch	1340 x 890 x 520 mm 52.8 x 35 x 20.5 inch	167 kg 367 lbs	197 kg 433 lbs
HDSCTC-60	Gas Radiant Broiler	200,000	1525 x 745 x 400 mm 60 x 29.3 x 15.7 inch	1640 x 890 x 520 mm 64.6 x 35 x 20.5 inch	210 kg 462 lbs	247 kg 543 lbs

sales@heavydutysystems.com