



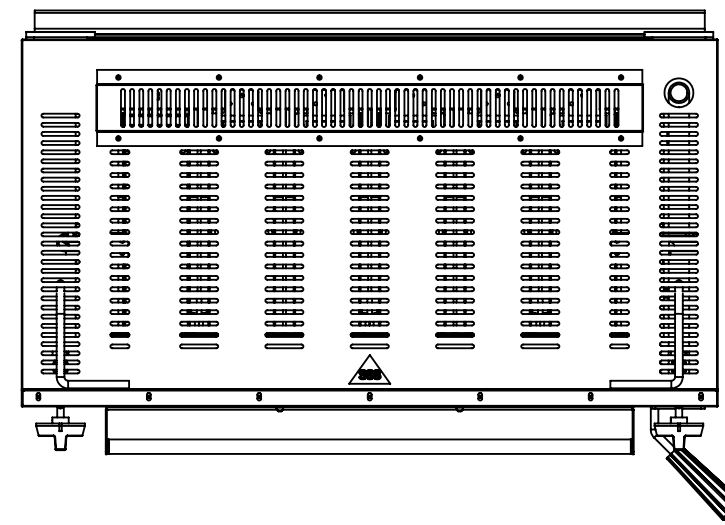
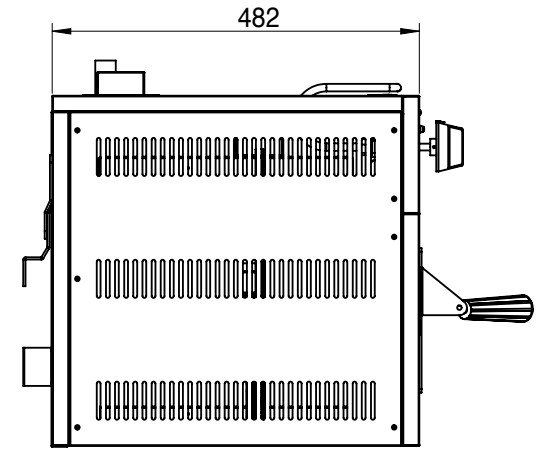
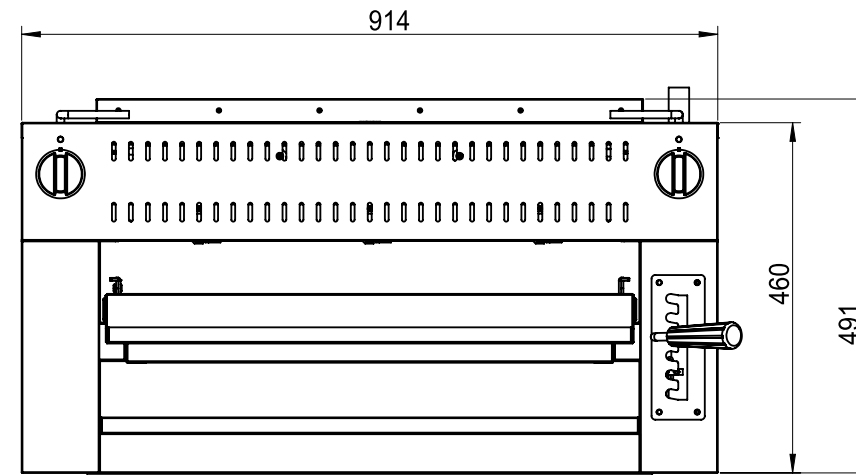
**STANDARD FEATURES**

- Stainless steel structure
- 6 Cast iron burner with infrared system, total 36,000 BTU/hr
- Infrared burner can cook food much quicker
- Spring-balanced lifting system, easy to adjust
- Grills can be rolled out for easy loading, unloading and cleaning
- Grill stopper to prevent grills falling off
- 5-height locking position to have different temperature
- Continuous pilot for instant ignition of main burner
- Stainless steel crumb tray to collect dropped food
- Wall mounting kit included for saving kitchen space
- Can be mounted to 36" or 60" HDSGR ranges via mounting kit (ordered separately)
- 3/4" NPT rear gas connection

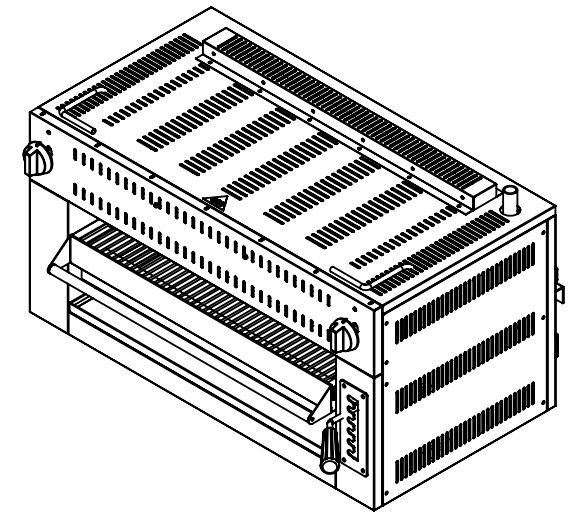
- **Gas Products available in either Natural or LP Gas setup**
- **Thermostats (if applicable) available in either Fahrenheit or Celsius**



HDSVSAL-36



HDSVSAL-36



MODEL	DESCRIPTION	TOTAL INPUT (btu/hr)	PRODUCT (WxDxH)	PACKING (WxDxH)	NW	GW
HDSVSAL-36	Gas Salamander	36,000	914 x 483 x 483 mm 36 x 19 x 19 inch	990 x 1520 x 711 mm 39 x 26 x 28 inch	47 kg 104 lbs	64 kg 140 lbs

sales@heavydutysystems.com